



## FAST FACTS

- Fraste Multidrill ML300
- Hydraulic Drill rig
- Rotary Core
- Percussion
- SPT
- Down the hole
- DPSH

## SUMMARY

PMI operates with an ultra-modern FRASTE Multidrill ML Drill rig. The rig has been designed specifically for sampling and testing for geotechnical and environmental analysis. Crawler mounted, for easy site access in most arduous conditions, makes it extremely reliable and competitively priced. PMI carries out soil sampling, probing and SPT to serve various disciplines in the agricultural, mining, exploration and geotechnical engineering field. A drop weight of 63.5kg is used over a stroke of 760mm for SPT's. The number of blows is shown on a counter display on the control panel for automated counting.

## DETAILS

### TECHNICAL DATA

Weight	4000kg
Max Width	1450mm
Wheel Base	1368mm
Ground Pressure	0.6kg/cm <sup>2</sup>
Travelling Speed	2.4km/h
Max Grade ability	60%

### DEISEL ENGINE

Type:	TIER 3, V3800 - DI - T - E3B 4 Cylinders, TURBO
Power	74kW (100bhp) at 2600RPM
Fuel Tank Capacity:	85L
Fuel Consumption	240g/kWh
Oil Tank Capacity:	110L

### CLAMP

Double Clamp Dia.	45/200mm
Clamping Force	9700daN
Breakout Torque:	13000daNm

### MAST

Rotary Head Stroke:	3500mm
Pull-up:	4000daN
Pull-down:	2000daN
Extraction Speed:	40m/1'
Feed Speed:	40m/1'

### ROTARY HEAD

Max Torque:	2/4 speeds Hydraulic Drifter 730daN
-------------	---

Max Speed:	2/4 speeds Hydraulic Drifter 840rpm
------------	---

### WINCH

Max line pull fixed drum:	2000daN
Max speed fixed drum	55m/1'
Rope dia. Fixed drum:	10mm
Drum Capacity fixed drum:	30m

### ACCESSORIES / EXTRAS:

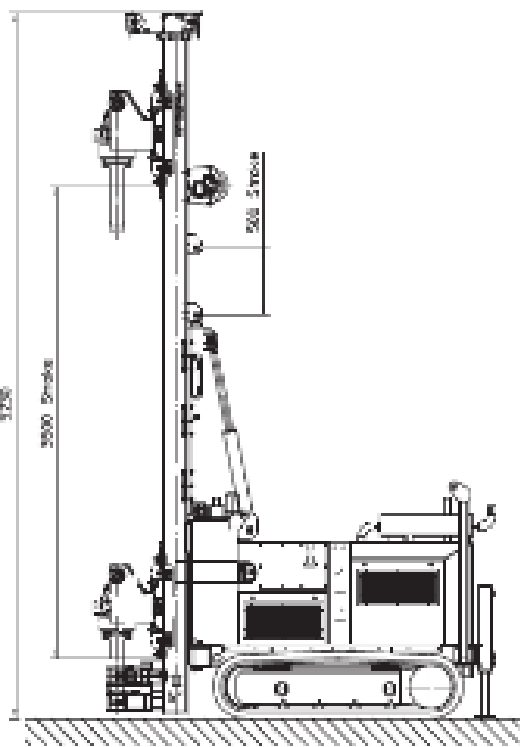
- Radio remote Control
- PMI can mobilise with down the hole MINCOM / Robit system and air compressor
- PMI can mobilise by truck (DAF) or vessel / barge



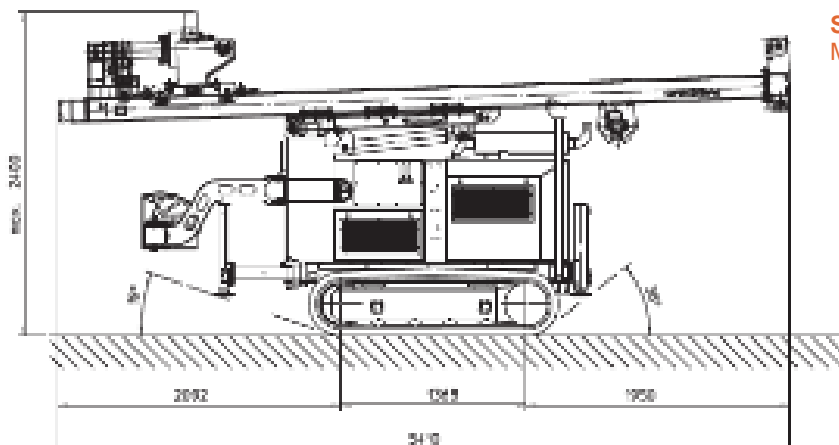
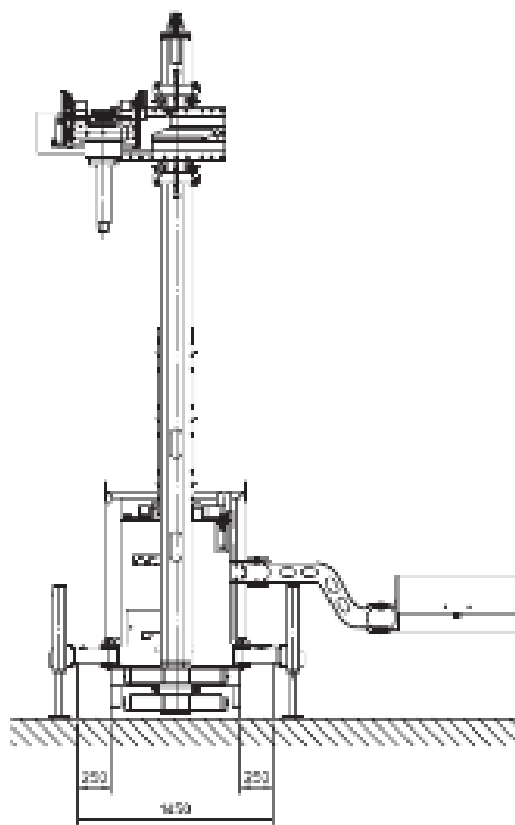


## LAYOUT DIAGRAMS

**SIDE VIEW**  
Mast Up / Drilling



**FRONT VIEW**  
Mast Up / Drilling



**SIDE VIEW**  
Mast down / Moving

